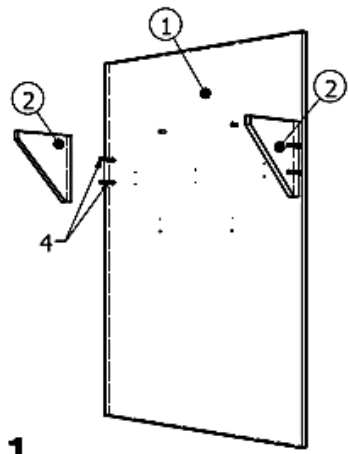
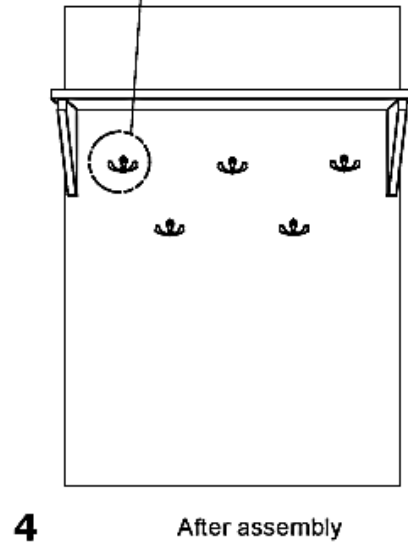
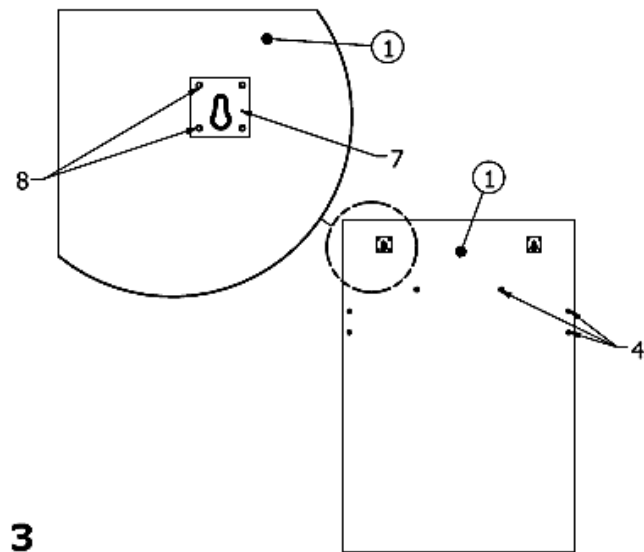
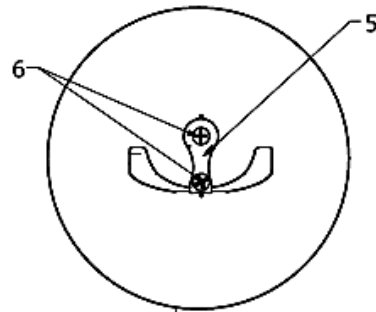
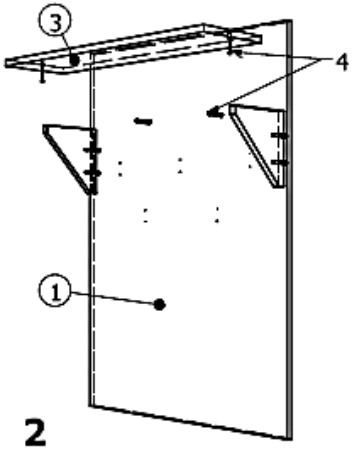


Mara hanger

Assembly instructions

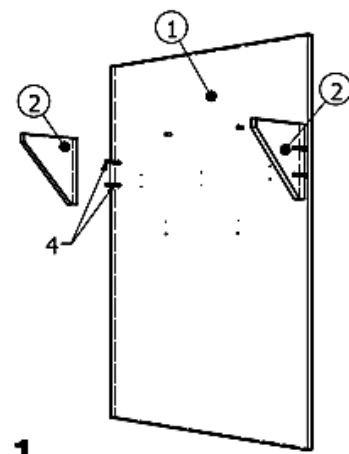


Position	Component Name	Dimension Component	Quantity
1	Hanger board	100x70 cm	1
2	Support board	18x20 cm	2
3	Hat board	70x20 cm	1
4	Screw	Ø7x50 mm	8
5	Hangers		5
6	Wood screws	Ø3.5x20 mm	10
7	Wall hangers	45x45 mm	2
8	Wood screws	Ø3.5x16 mm	8
9	Allen screw		1



Mara hanger

Assembly instructions



Position	Component Name	Dimension Component	Quantity
1	Hanger board	100x70 cm	1
2	Support board	18x20 cm	2
3	Hat board	70x20 cm	1
4	Screw	Ø7x50 mm	8
5	Hangers		5
6	Wood screws	Ø3.5x20 mm	10
7	Wall hangers	45x45 mm	2
8	Wood screws	Ø3.5x16 mm	8
9	Allen screw		1

